

# Airborne Blade Antenna S-Band

## Type TS2400B



The rugged airborne antenna model TS2400B is specially designed for applications onboard from aircrafts, drones and missiles. The antenna work alone or in multi antenna arrays with matching networks.

### ELECTRICAL SPECIFICATIONS

- Frequency Range 2.2 to 2.4 GHz optional 2.3 to 2.5 GHz
- Polarisation linear
- Gain nom. 0 dBi
- Coverage omni directional
- Power Rating about 20 Watts CW at sea level and about 10 Watts CW at 10 km
- Impedance 50 Ohms
- VSWR better than 1.5:1

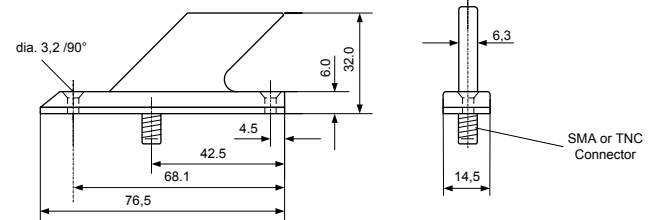
### MECHANICAL SPECIFICATIONS

- Connector Type SMA female, optional TNC-female
- Antenna High 32 mm (1.4 inch)
- Materials/Colours radome – high temperature PPA/beige  
Mounting plate – stainless steel
- Weight SMA 29 g ( $\leq 1$  oz) / TNC  $\leq 34$  g ( $\leq 1,2$  oz)

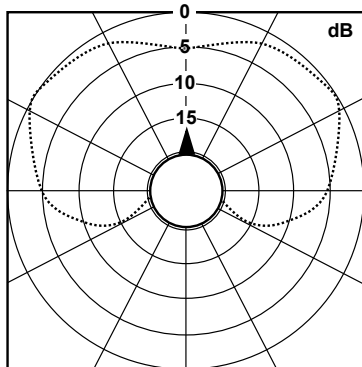
### ENVIRONMENTAL SPECIFICATIONS

- Temperature Range -100°C to +210°C (-150°F to +410°F), continuously operating  
max. 450 °C (842 °F) for 20 sec.
- Maximum Speed max. 2.5 mach at 15 km (50 000 ft) altitude

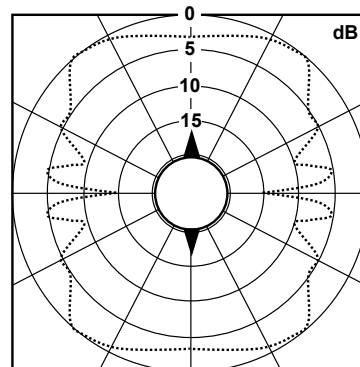
### OUTLINE DIMENSIONS



### TYPICAL ROLL PLANE PATTERNS for BLADE ANTENNA TS2400B

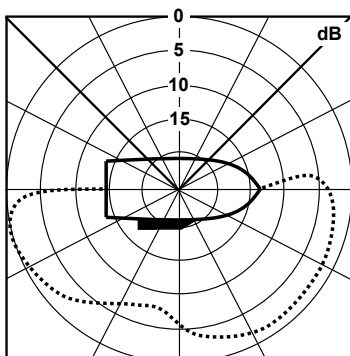


1 Antenna at 2300 MHz /150 mm dia.

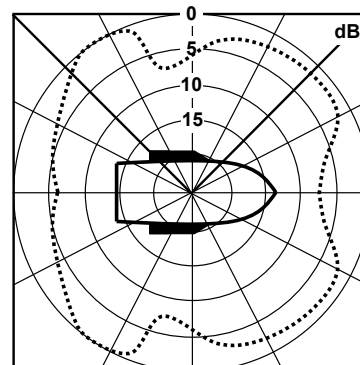


2 Antennas at 2300 MHz /150 mm dia.

### TYPICAL YAW PLANE PATTERNS for BLADE ANTENNA TS2400B



1 Antenna at 2300 MHz /150 mm dia.



2 Antennas at 2300 MHz /150 mm dia.