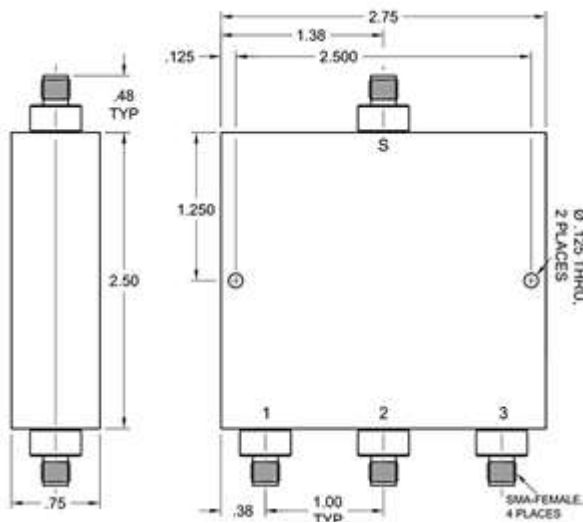


RF Power Splitter / Combiner

Type TPU3-UHF-W2

Description:

3-way, SMA-Female power divider/combiner with an average power rating of 2 watts and frequency of 5-500 MHz.



All dimensions are in inches

Electrical Specifications:

Frequency Range	5 – 500 MHz
Impedance (nominal)	50 Ohms
VSWR input	1.15:1
VSWR output	1.30:1
Insertion loss (dB)	0.4 dB (typ) 0.8 dB (max)
Amplitude balance (max)	0.4 dB
Isolation (dB)	28 (typ.) / 22 (min)
Phase balance (max)	4 degree max
RF power (total max.)	
* as Divider	2 W input with load VSWR 1.5:1 or less
* as Combiner	50 mW (+17 dBm) Into ports 1 – 3 simultaneously

Mechanical Specifications:

Connectors	SMA female, stainless steel, Passivate
Connector pins	Beryllium copper, gold plate
Housing	Aluminum, RoHS compliant, Iridite
Insulators	PTFE Virgin electrical grade
Temperature	-55°C to +85°C
Weight (nominal)	255 g
Dimensions	64 x 70 x 20 mm (without connectors)

Notes:

1. Insertion loss above 4.77 dB theoretical 3-way power divider split.
2. All units rated for maximum input power as a divider or balanced combiner with load VSWR of 1.20:1 or better. To calculate the combining rated power the following formula is used:

$$(\text{rated input power of divider} * 5\%) / "N" \# \text{ of input channels} = \text{max input at each port for combining.}$$
3. All output/power combiner ports are in-phase (0° difference).
4. 50 ohm nominal impedance standard.
5. Operating temperature from -55°C to +85°C.