

# AIRBORNE BLADE ANTENNA C-Band

## Type TS5000PW

The rugged airborne antenna model S5000PW is specially designed for applications onboard from aircrafts, drones and missiles for transmission applications. The antenna works stand alone or in multi antenna arrays with matching networks.

### ELECTRICAL SPECIFICATIONS

- Frequency Range 5.0 to 5.4 GHz
- Polarisation linear
- Gain nom. 0 dBi
- Coverage omni directional
- Power Rating max. 25 W CW
- Impedance 50 Ohms
- VSWR better than 1.5:1

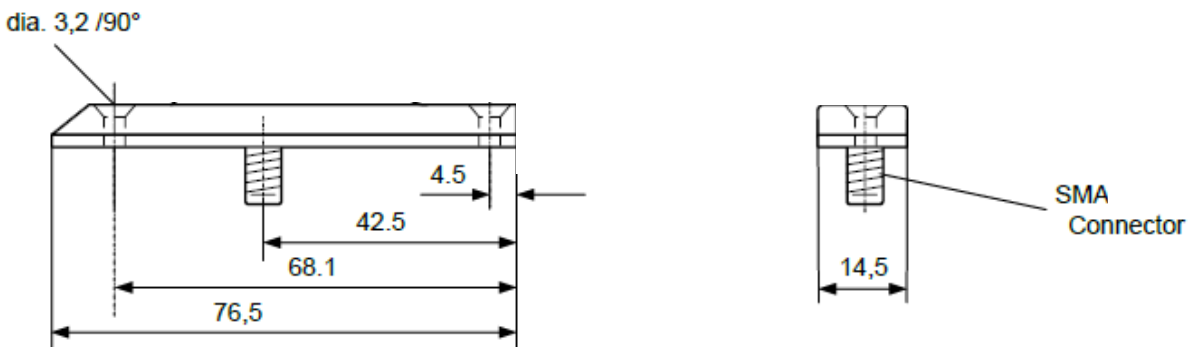
### MECHANICAL SPECIFICATIONS

- Connector Type SMA female
- Antenna Height < 24 mm (1 inch)
- Materials/Colours radome – high temperature beige TekaPeek  
Mounting plate – stainless steel
- Weight < 25 g (1 oz)

### ENVIRONMENTAL SPECIFICATIONS

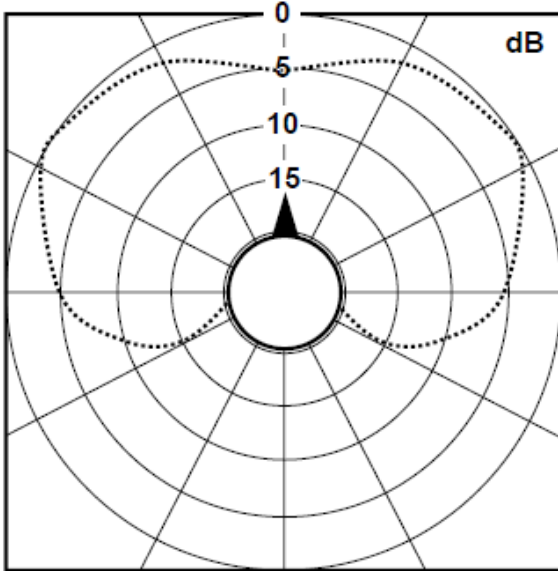
- Temperature Range -100°C to +210°C (-150°F to +410°F),  
continuously operating  
max. 450 °C (842 °F) for 20 s
- Maximum Speed max. 3.5 mach at 15 km (50 000 ft) altitude

### Mounting Footprint

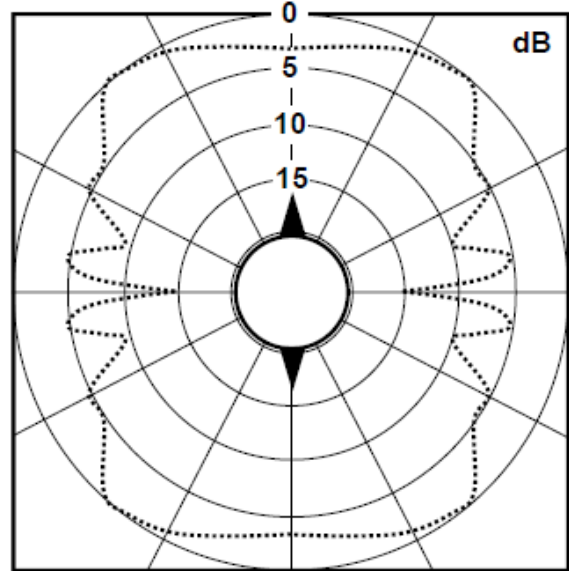


**TYPICAL ROLL PLANE PATTERNS for BLADE ANTENNA TS5000PW**

1 Antenna at 5000 MHz /60 mm dia.

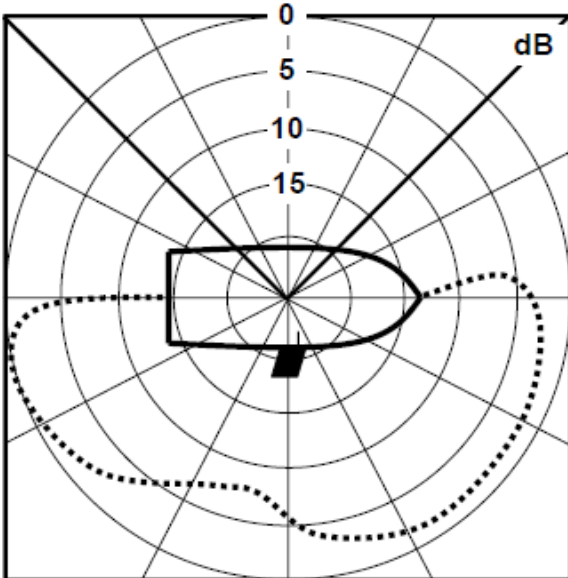


2 Antennas at 5000 MHz/60 mm dia.

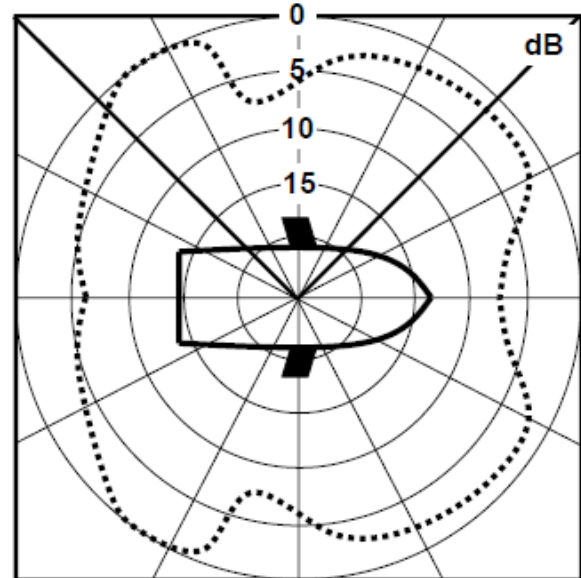


**TYPICAL YAW PLANE PATTERNS for BLADE ANTENNA TS5000PW**

1 Antenna at 5000 MHz/60 mm dia.



2 Antennas at 5000 MHz/60 mm dia.



Tested according to MIL-STD-461F, method RE102, method RE103:

Salt fog: M509.1, Pl. 48 HRS 5% Salt Solution, Humidity M507.1 RH=100%, T=114°F max

Low Temp. M514.2, Freq 20-2000 HZ

A. GRMS=19.2 12Min/Axis, B. GRMS=8.25 1hr/Axis, C. GRMS=6.9 30SEC/Axis

Shock M516.2, PIII, PV, A. 80G, 11msec, Terminal Saw Tooth, B. 200G, 11sec, Terminal Saw Tooth

3 Axis, 2 Shocks/Direction, ACC M513.2 PI ±23G, 3 Axis, 1Min/Axis