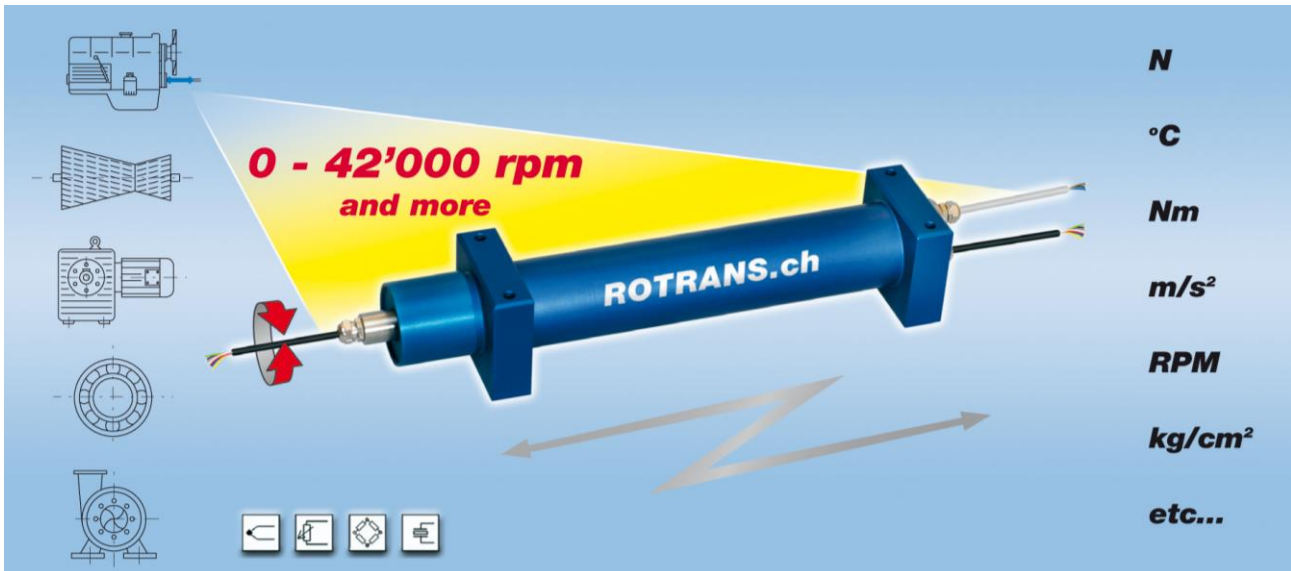


# Signaldrehübertrager

## Type ROTRANS™



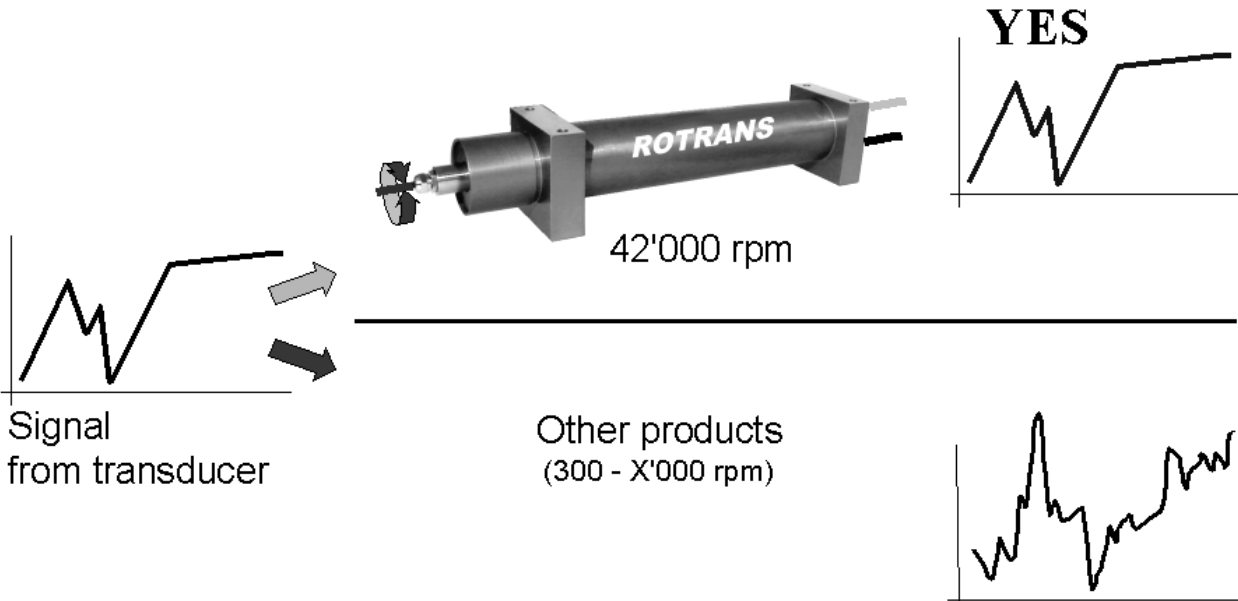
- 42'000 min<sup>-1</sup>
- $\Delta R$  @ (0-20'000rpm) : 0,25 m $\Omega$
- 4, 8, 12 channels (wires)
- Very low inertia
- Integrated speed pick-up (Optional)
- IP 51 (IP 68)
- Slipringless
- Arc-free
- 18, 24, 30 channels (wires) (separate data sheet)
- ROTRANS: Easy to use and reliable just like a cable
- According to the rules of RoHS and WEEE

The Rotational Transmitter ROTRANS has been designed for transmitting signals from the inside of a rotating system to an external Signal Processing Device. In parallel ROTRANS is able to transmit supplying energy into the rotating system.

One of the most significant features of ROTRANS is the unique electric conductivity, which allows reliable and distortion free transmission of measurement signals. Due to the sophisticated design the device can be operated with extremely low noises and wear-resistant. ROTRANS will not be affected by magnetic fields and is easy to operate. Even because of the low space consumption and high precision performance and long lifetime, ROTRANS is the ideal partner for Research and Development.

Please let us know your specific needs. We are looking forward to discuss your application with you !

## HIGH FIDELITY TRANSMISSION ?



ROTRANS is in conformity with RoHS and WEEE directive.

### Description

The rotary transmitters ROTRANS from Jordil Technic could be used to transmit excitation power to these devices in addition to transmitting the measuring signal from them. ROTRANS help you to:

- Improve the products performances
- Improve the product reliability
- Reduce the production costs

The input and output cables are screened to be protected against electromagnetic disturbances. ROTRANS is in conformity with RoHS and WEEE directive.

They are exceptionally well suited for the transmission of electrical signals from :

- Thermocouples
- Strain-gauges
- Oscillation pick-ups
- Accelerometers
- Pressure transducers
- Etc.

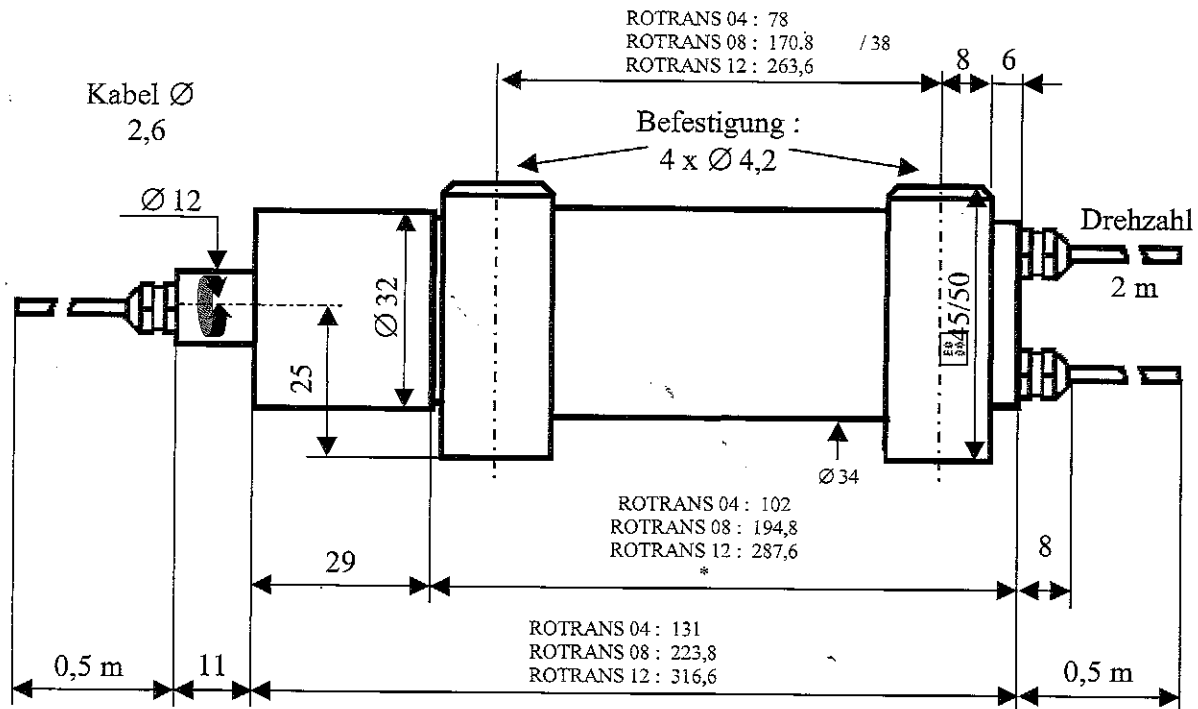
In addition to that, the ROTRANS as an integrated speed pick-up, as option. The use of ROTRANS is easy like a cable, without keyboard, without parameters and without power supply or batteries.

### Performances

It is with a concept using high-tech added components from high quality level that users can benefit from so interesting characteristics. The speed range up to 42'000 min<sup>-1</sup> can reach higher speed according conditions. ROTRANS is an arc-free transmitter.

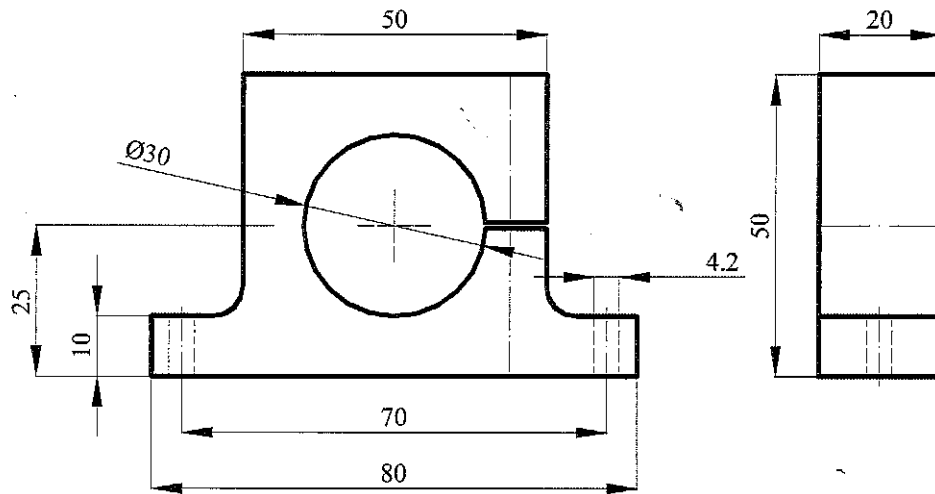
Like you see, ROTRANS is superior to all rotary transmitters using rings, sliprings, brushes and similar devices. The Continuous Product Improvement (CPI) by design, production, assembly and services is one of our main tasks. ROTRANS: Easy to use and reliable just like a cable

## Diemensions (mm)



## Technische Daten

Speed ranges	42'000 min <sup>-1</sup>
Number of channels	4, 8 or 12 wires, other on request
Conductibility	Between 0 and 20'000 min <sup>-1</sup> , for 2 cells in series, 0,5 mΩ resistance variation
Insulation resistance	More than 2 x 10 <sup>8</sup> Ω for two adjacent cells
Load voltage	75 V DC or 50 V AC between two cells or between cell and transmitter housing (more on request)
Load current	Maximum 0,3 A per cell, 0,4 A if only 1 cell (more on request)
IP Specification	IP 51, (available : IP 68)
Temperature range	- 25 to + 60 °C (for other temperature, please contact us)
Connections (In/Out)	Cable for input and output : 0,5 m, screened
Cable temperature	< 70 °C; without external black insulation : 200 °C
Inertia	04: 1,52 E-6 kgm <sup>2</sup> , 08: 1,57 E-6 kgm <sup>2</sup> , 12: 1,61 E-6 kgm <sup>2</sup>
Speed pick-up output (optional)	4'200 Hz for 42'000 min <sup>-1</sup> ; supply : 10 - 30 VDC, ~ U alim - 2VDC, I ≤ 100 mA, 6 impulses / round
Weight	04 : 480g, 04-R : 400g, 08 : 800g, 08-R : 600g, 12 : 1100g, 12-R : 800g



Lager : 100-100 für (-R) Typ

### Ordering information:

\* With (-R) after Type and PN, this part is cylindrical :  $\varnothing 30$

Type	Description	PN
ROTRANS 04	4 Channels rotary signal transmitter	104 - 000
ROTRANS 04	SM 4 Channels rotary signal transmitter, with integrated speed pick-up	104 - 000 - SM
ROTRANS 08	8 Channels rotary signal transmitter	108 - 000
ROTRANS 08 SM	8 Channels rotary signal transmitter, with integrated speed pick-up	108 - 000 - SM
ROTRANS 12	12 Channels rotary signal transmitter	112 - 000
ROTRANS 12 SM	12 Channels rotary signal transmitter, with integrated speed pick-up	112 - 000 - SM
ROTRANS 18-30	18, 24, 30 Channels (separate datasheet)	
ROTRANS-W	Wheel mounting, automotive or industry (separate datasheet)	

### Accessories

Bracket 1	Pair of mounting brackets for ROTRANS type -R (necessary to meet ROTRANS mounting requirements)	100 - 100
Coupling	Flexible coupling (separate datasheet)	
Encoder	By ROTRANS axle mounted (separate datasheet)	

### Servicing

Servicing	Rotary signal transmitters. <b>All types and all marks.</b>	On offer
-----------	--	----------